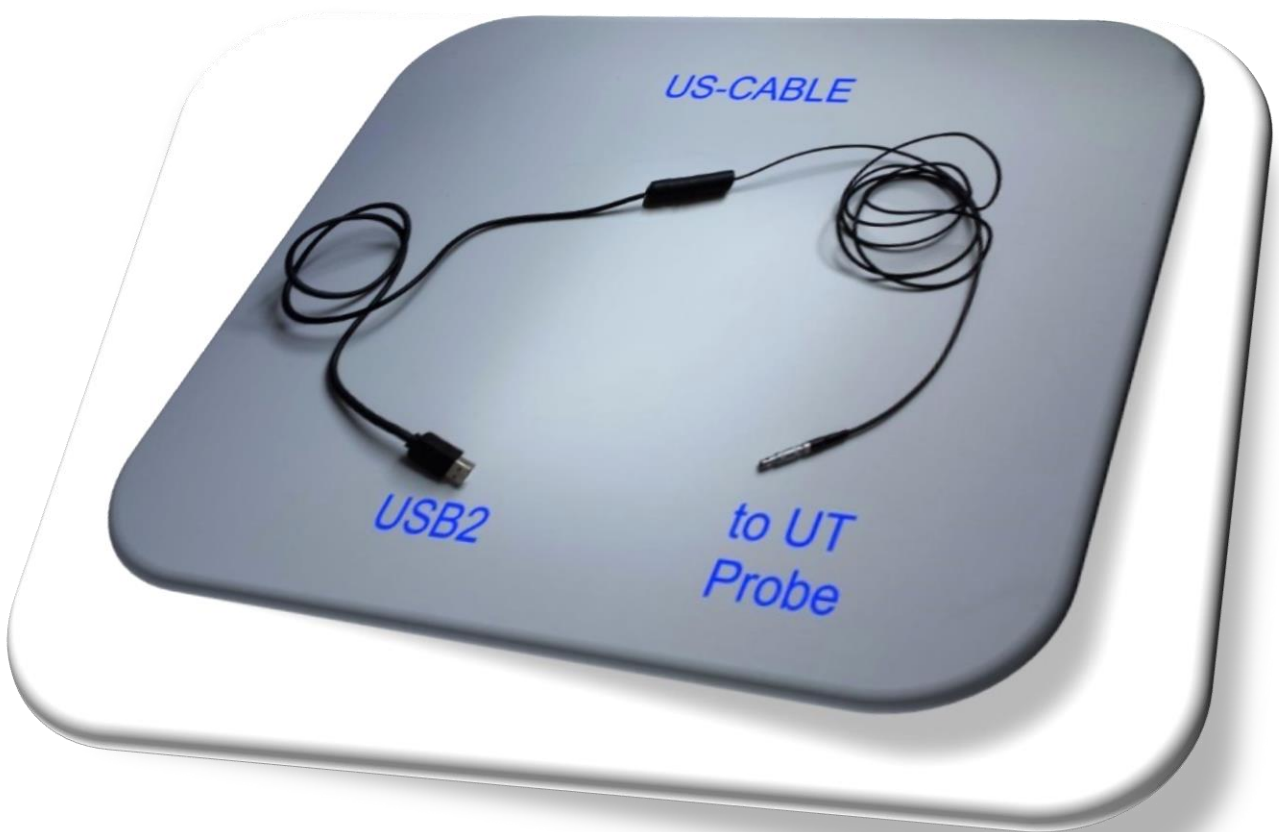


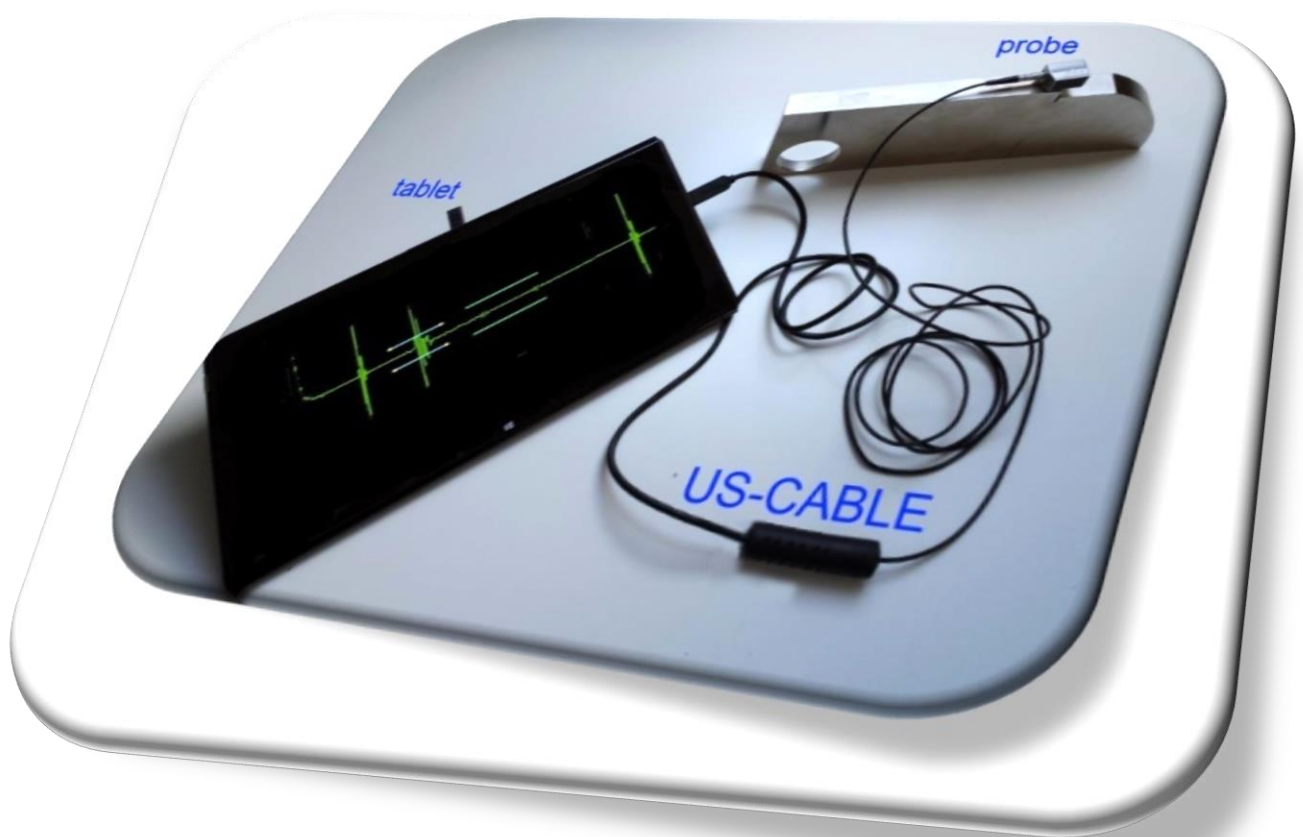
US-CABLE

The First USB2 to UT Probe cable!



EXAMPLE OF APPLICATION

Tablet PC + US-CABLE + UT Probe



GENERAL DESCRIPTION

US-CABLE is the more recent concept and technology in ultrasound control. All electronics are inside the probe cable! (Transmitter, Amplifier, Digitizer, Dac, USB2 link).

The transmitter can generate pulses with a voltage level and a width programmed by the user. A low noise preamplifier combined to a VGA gives a gain range between 0 and 80 dB, a DAC curve is also available. A 12 bits analog digital converter with a sampling frequency of 80 MHz is used to digitize ultrasound signals. The USB2 link transfers, in real time, ultrasonic waveforms to computer (lap-top, tablet, portable pc)

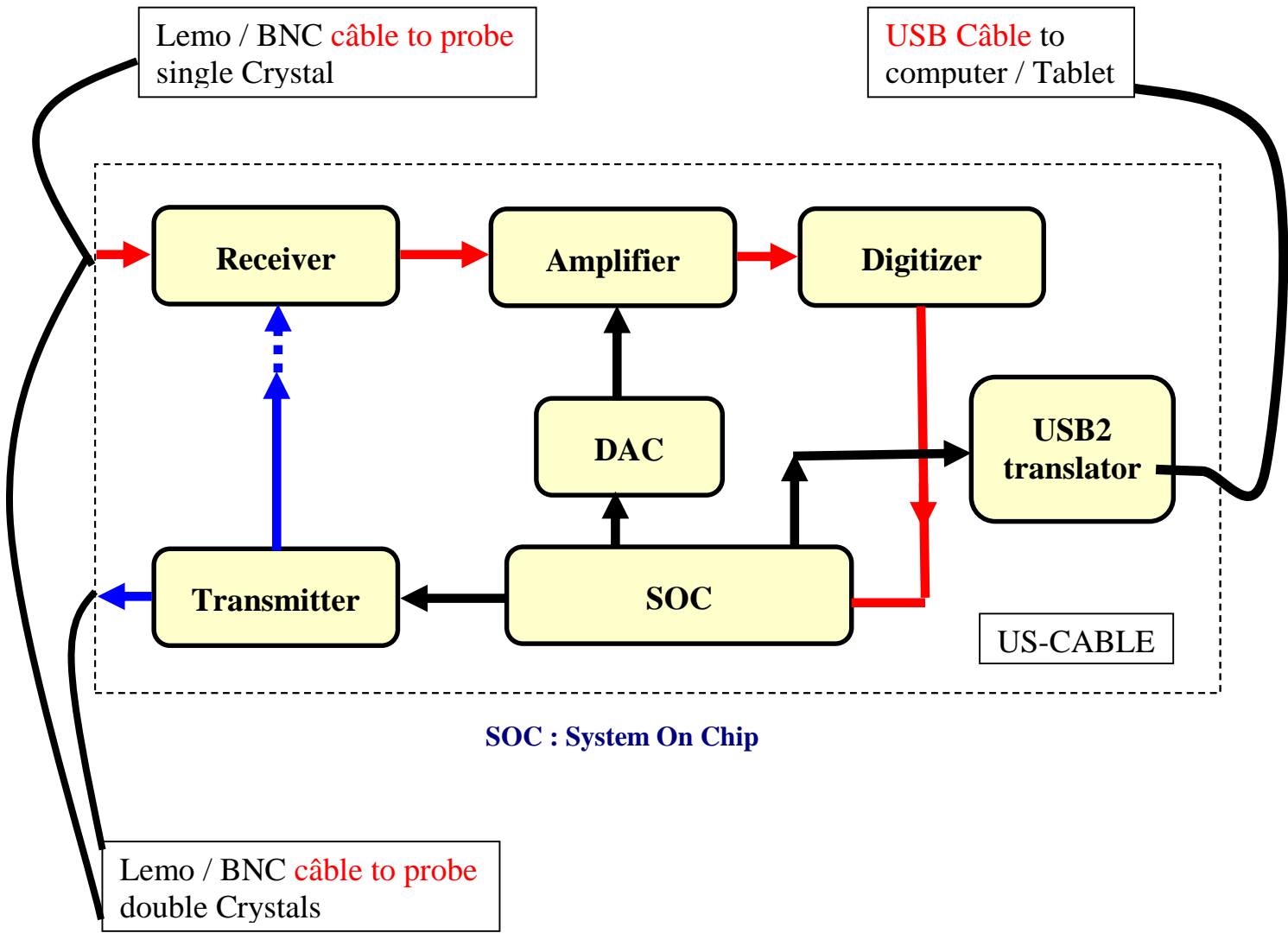
FEATURES

- Dual / single crystal probes from 1 to 25 MHz
- 160/80/40/20 MHz sampling frequency
- USB2 High Speed connection
- Ultralow noise preamplifier : 0.74 $\sqrt{\text{Hz}}$
- 6 dB bandwidth : 540 KHz to 30 MHz
- High voltage transmitting pulses up to 250 Volts
- Single /dual crystal probes (option)
- 50 Ω load drive
- Digitizer 12 bits at 80 MSPS
- Programmable gain : 0 to 80 dB

FEATURES

- FFT tools
- Probes evaluation tool
- DAC curve
- TGC curve
- Auto calibration
- B-SCAN
- Digital filters
- Dynamic echo curve
- Screen Freeze
- Save / Recall setup
- Graphical User Interface for windows
- Windows XP / Vista / W7 / W8 /W10

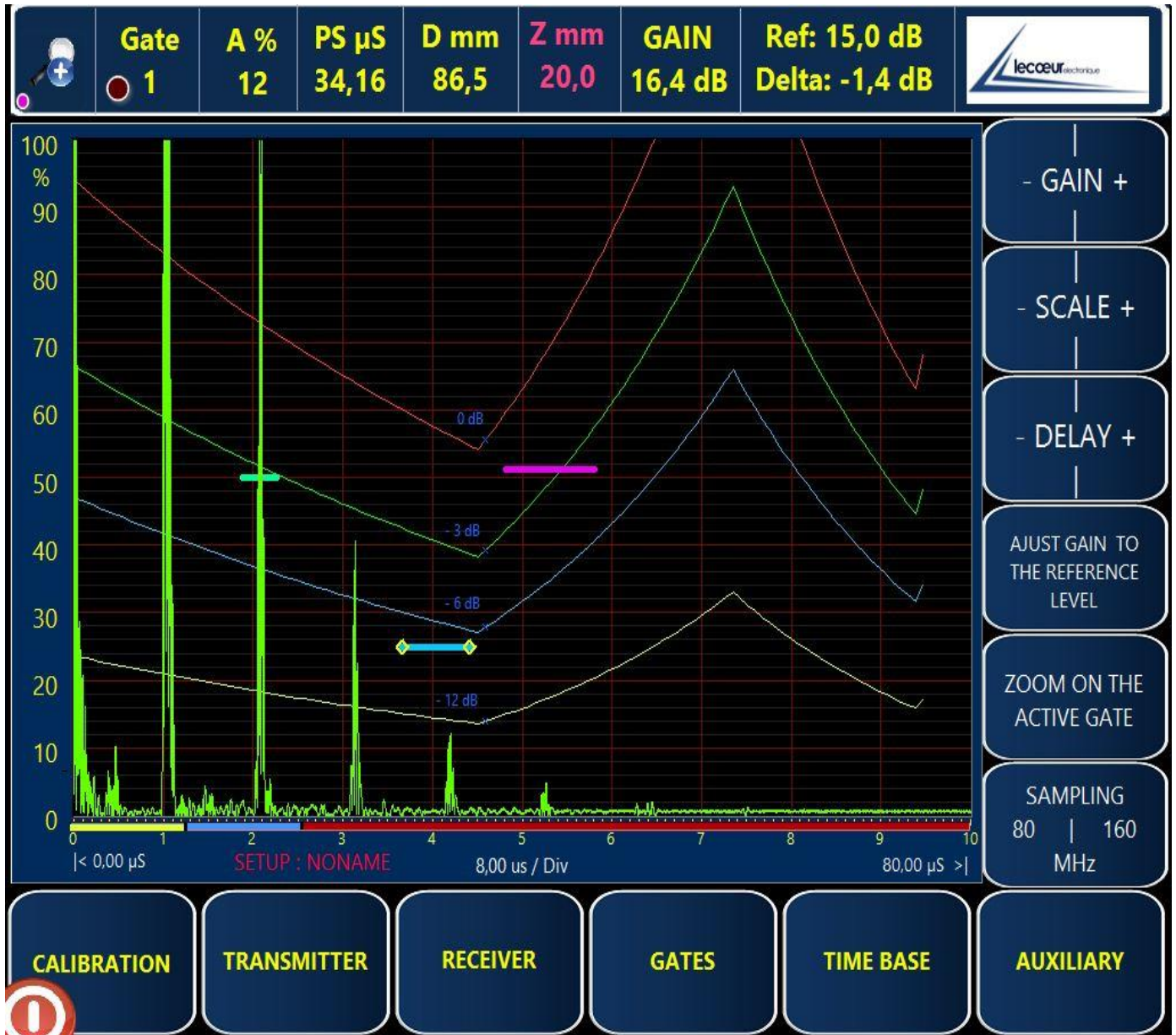
BLOCK DIAGRAM



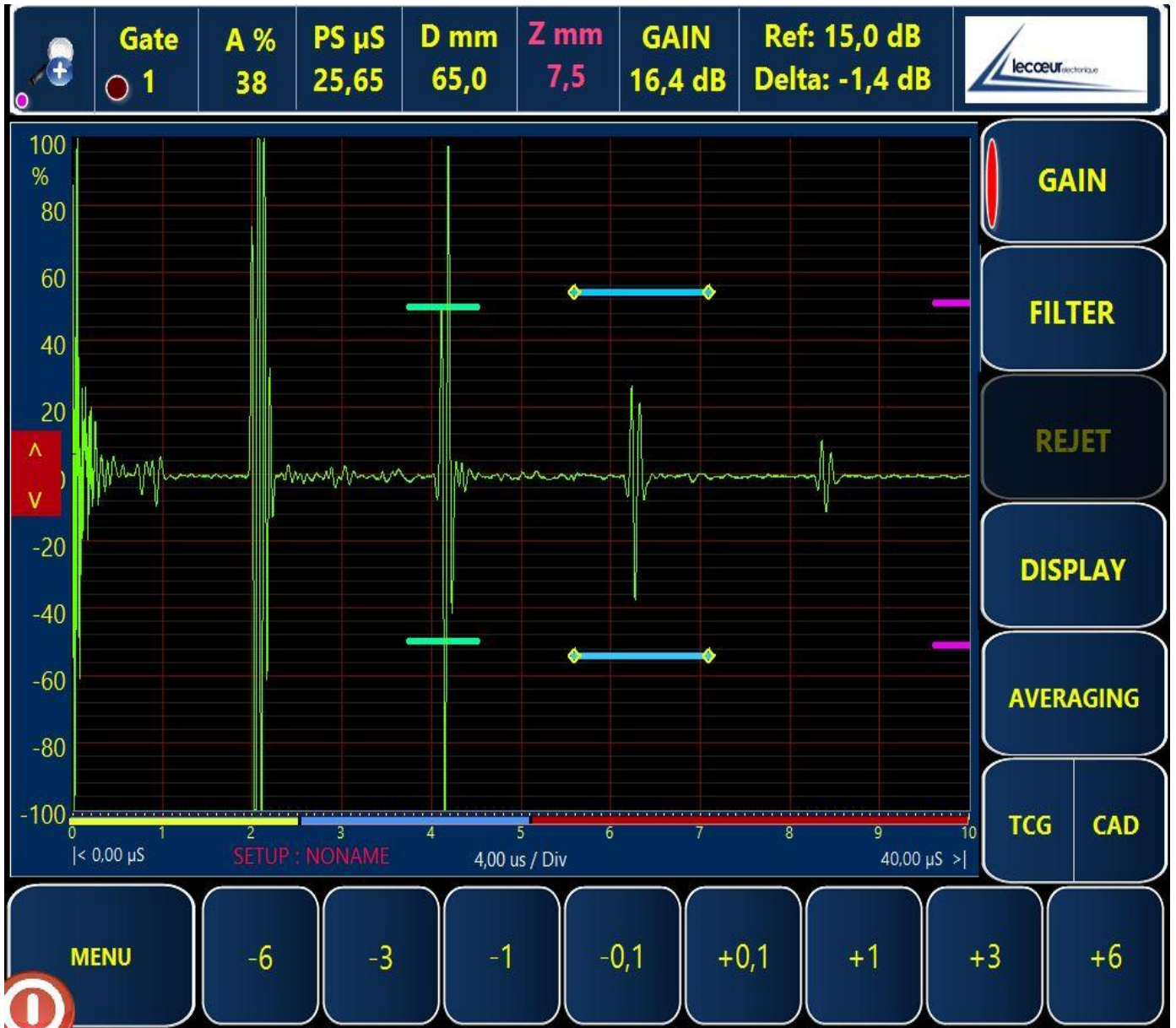
APPLICATIONS

- NDT flaw detection
- Thickness measurement
- TOFD technique
-

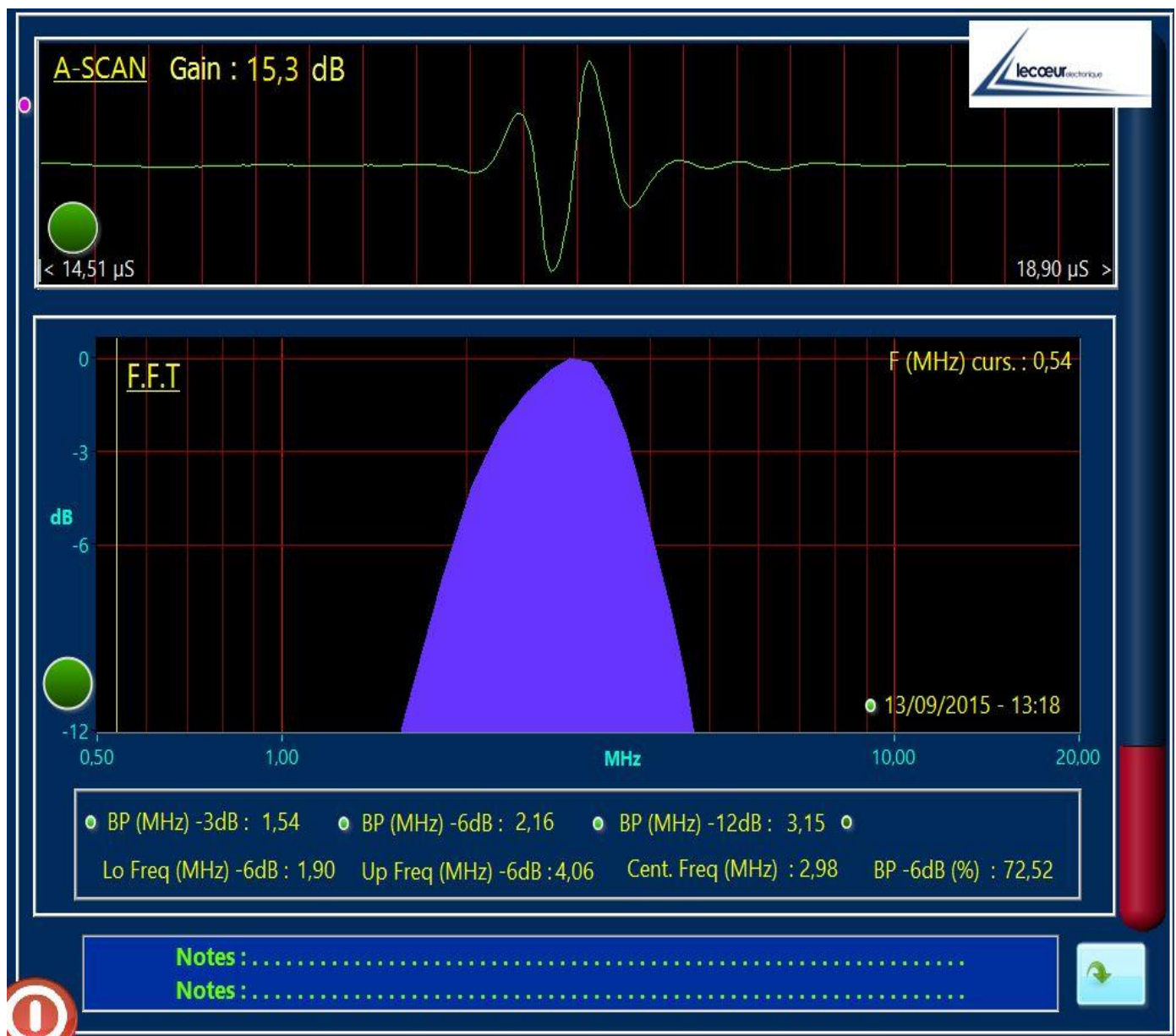
SCREEN SHOTS OF THE GUI DELIVERED WITH THE US-CABLE



SCREEN SHOTS OF THE GUI DELIVERED WITH THE US-CABLE



SCREEN SHOTS OF THE GUI DELIVERED WITH THE US-CABLE



SCREEN SHOTS OF THE GUI DELIVERED WITH THE US-CABLE

